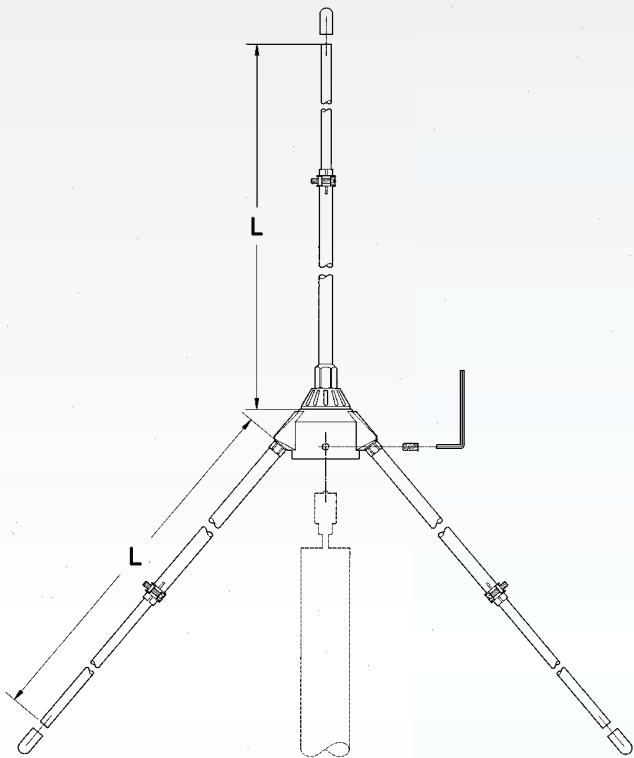




GPA SERIES

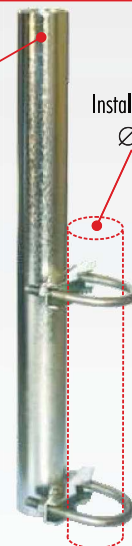
Ground Plane Aluminium 27...230 MHz

Rapid installation on the mast.
Easy tuning acting on L



Top Size: \varnothing 38 mm
for antenna fitting

Installation mast sizes
 \varnothing 45/50 mm



Side mast mounting
Optional bracket FT-2
P/N 2510004.00



Strong die-cast base, bottom view
UHF-female connector





GPA SERIES

Ground Plane Aluminium 27...230 MHz

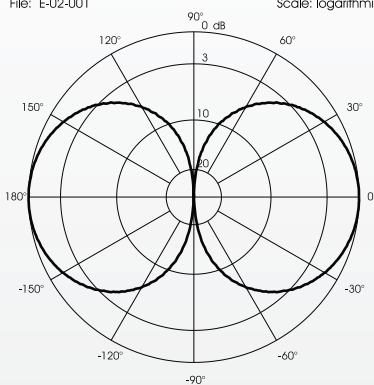
Features:

- # Base station antenna, Mono-band
- # Unity-gain, Omnidirectional
- # Tunable by whip length adjust
- # Made of aluminium alloy 6063 T-832
- # Side mast mounting allowed by optional bracket FT-2 code 2510004.00

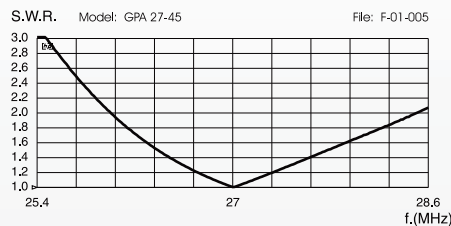
Electrical Data	GPA 27-45	GPA 40-70	GPA 66-108	GPA 108-136	GPA 135-175	GPA 170-230
Type	1/4 λ Ground Plane					
Frequency Range tunable	27...45 MHz	40...70 MHz	66...108 MHz	108...136 MHz	135...175 MHz	170...230 MHz
Impedance	50 Ω					
Radiation (H-plane)	360° Omnidirectional					
Radiation (E-plane)	Beamwidth @ -3dB = 86°					
Radiation angle deg.	0°					
Polarization	Linear Vertical					
Gain	0 dBd - 2.15 dBi					
SWR @ res. freq.	≤ 1.2 @ 27 MHz	≤ 1.2 @ 40 MHz	≤ 1.2 @ 66 MHz	≤ 1.2 @ 108 MHz	≤ 1.2 @ 135 MHz	≤ 1.2 @ 170 MHz
Bandwidth @ SWR ≤ 2	≥ 2.5 MHz @ 27 MHz	≥ 3.7 MHz @ 40 MHz	≥ 6.5 MHz @ 66 MHz	≥ 12.2 MHz @ 108 MHz	≥ 13 MHz @ 135 MHz	≥ 19 MHz @ 170 MHz
Max Power (CW) @ 30°C	1000 Watts	1000 Watts	500 Watts	500 Watts	300 Watts	300 Watts
Connector	UHF-female					
Mechanical Data						
Materials	Aluminium, Chromed Brass, Nylon					
Wind Load @ 150 km/h	126 N	85 N	54 N	35 N	29 N	24 N
Wind Resistance	130 Km/h; 80 mi/h	150 Km/h; 93 mi/h	150 Km/h; 93 mi/h	150 Km/h; 93 mi/h	180 Km/h; 112 mi/h	180 Km/h; 112 mi/h
Wind Surface	0.11 m ² ; 1.12 ft ²	0.07 m ² ; 0.75 ft ²	0.05 m ² ; 0.54 ft ²	0.03 m ² ; 0.32 ft ²	0.03 m ² ; 0.32 ft ²	0.02 m ² ; 0.21 ft ²
Height (approx.)	4730 mm; 15.5 ft	3200 mm; 10.5 ft	1930 mm; 6.3 ft	1185 mm; 3.9 ft	960 mm; 3.1 ft	760 mm; 2.5 ft
Weight (approx.)	1250 gr; 2.8 lb	935 gr; 2.0 lb	700 gr; 1.5 lb	565 gr; 1.2 lb	520 gr; 1.1 lb	480 gr; 1.0 lb
Radial Length (approx.)	2680 mm; 8.8 ft	1800 mm; 5.9 ft	1080 mm; 3.5 ft	650 mm; 2.1 ft	520 mm; 1.7 ft	410 mm; 1.3 ft
Mounting Mast	\varnothing 35 - 40 mm; \varnothing 1.4 - 1.6 in					
P/N	2100801.00	2101401.00	2101501.00	2108501.00	2101601.00	2105001.00

GPA series

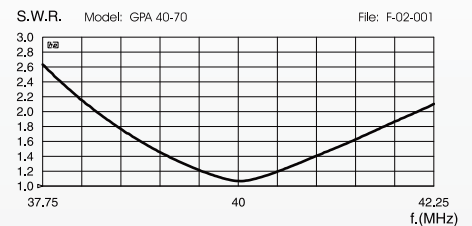
TYPICAL RADIATION PATTERN in E-plane at mid band
File: E-02-001 Scale: logarithmic



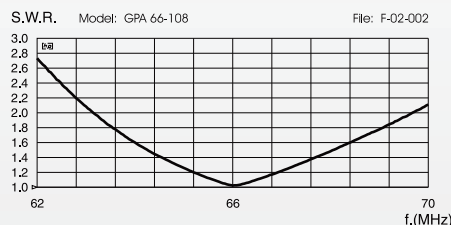
TYPICAL S.W.R. RESPONSE



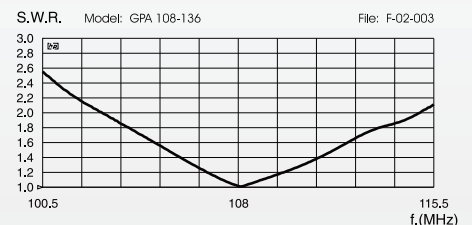
TYPICAL S.W.R. RESPONSE



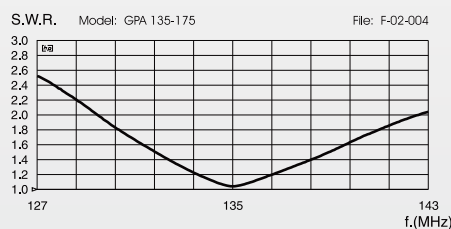
TYPICAL S.W.R. RESPONSE



TYPICAL S.W.R. RESPONSE



TYPICAL S.W.R. RESPONSE



TYPICAL S.W.R. RESPONSE

